

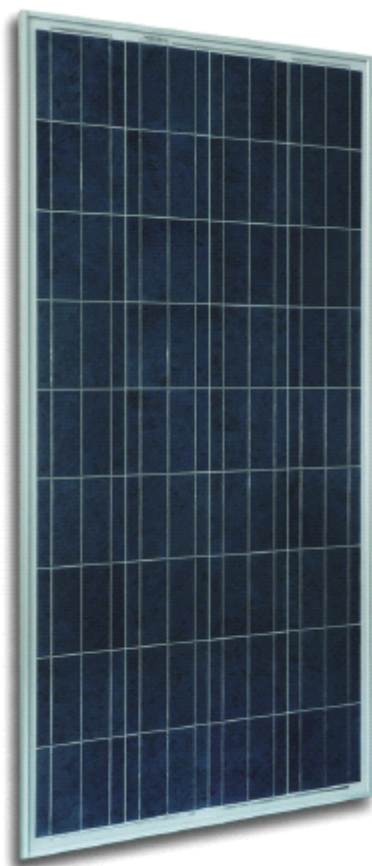


Polycrystalline Solar Module---SSxxx-36P

SS145-36P

SS140-36P SS135-36P

SS130-36P



KEY FEATURES

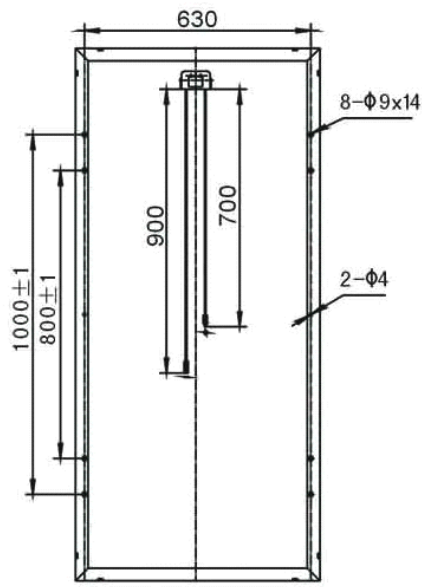
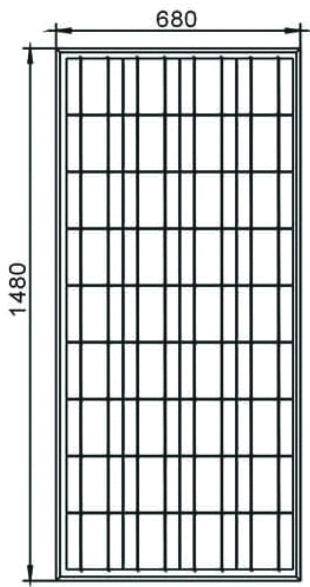
- Guaranteed positive tolerance 0/+5W ensures output reliability.
- Strong aluminum frames can bear snow loads up to 5400Pa and wind loads up to 2400Pa.
- Excellent performance under low light environments(morning evenings and cloudy days).
- 12 years for product defects in materials and workmanship and 25 years for 80% of warranted minimum power.
- Certifications and standards: IEC61215, IEC61730, conformity to CE.
- Manufactured according to International Quality(ISO9001).



Electrical Characteristics

All specified Parameters are at STC 25°C Ambient, 1000W/m² irradiance and AM 1.5

Type		SS130-36P	SS135-36P	SS140-36P	SS145-36P
Max-Power	Pm(W)	130	135	140	145
Module Power Range	(W)	135>Pm≥130	140>Pm≥135	145>Pm≥140	Pm≥145
Power Tolerance	(W)	+0~+5	+0~+5	+0~+5	+0~+5
Max-Power Voltage	Vm(V)	17.7	17.8	17.9	18.0
Max-Power Current	Im(A)	7.37	7.61	7.85	8.09
Open-Circuit Voltage	Voc(V)	22.0	22.1	22.2	22.3
Short-Circuit Current	Isc(A)	8.01	8.21	8.41	8.62
Cell Efficiency	(%)	15.2	15.7	16.3	16.9
Module Efficiency	(%)	13.0	13.5	14.0	14.5
Max-System Voltage	(VDC)	1000V(IEC)			
Max.Series Fuse	(A)	15			
Pm Temperature Coefficients	(%/°C)	-0.4336			
Isc Temperature Coefficients	(%/°C)	0.0825			
Voc Temperature Coefficients	(%/°C)	-0.4049			
NOCT Nominal Operating Cell Temperature		45±2°C			
Maximum load rating		5400Pa			



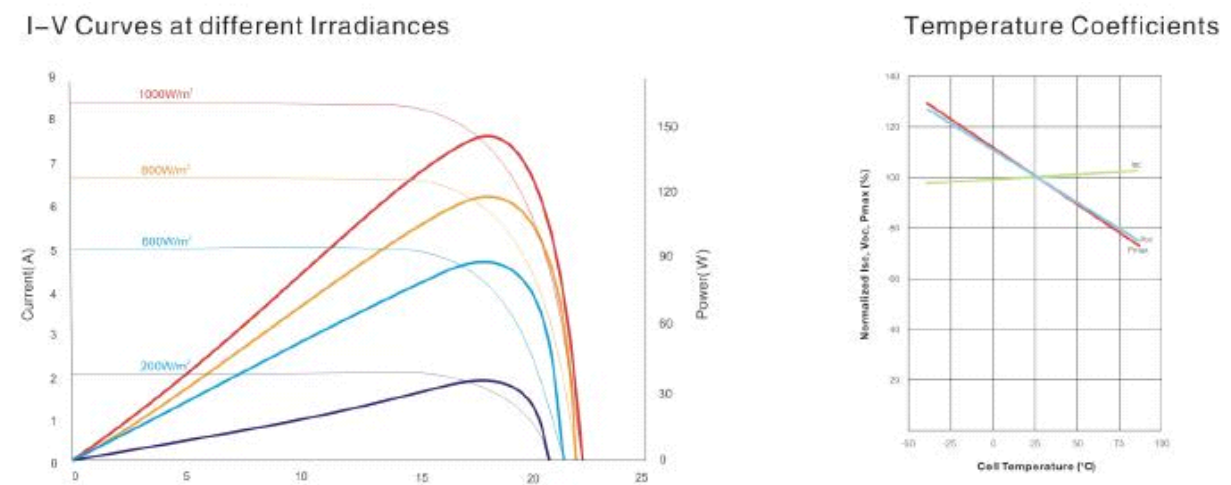
Packaging Configuration

Packing Configuration	32 pcs/box
Quantity/Pallet	96 pcs/pallet
Loading Capacity	1440pcs/40ft(H)

Absolute Ratings

Dielectric Insulation Voltage	3000V
Operating Temperature (°C)	-40~+85
Storage Temperature (°C)	-40~+85

I-V Curves



I-V Curves at different Irradiances(AM1.5 25°C)

Specifications included in this datasheet are subject to change without prior notice

Mechanical Characteristics

Cable type, Diameter and Length	4mm ² , TUV certified, 900mm
Type of Connector	Compatible with MC4 plug
Number, type and arrangement of cells	36pcs, Poly-Crystalline Silicon(4×9)
Cell Size (mm)	156×156
Dimension (mm)	1480×680×30
Weight (Kg)	12
Glass, Type and Thickness	High Transmission, Low Iron, Tempered Glass 3.2mm

Jiangyin Shine Science and Technology Co., Ltd
 NO.1199 Bingjiang Road(W), Jiangyin, Jiangsu,
 214444, China

Tel: +86-510-66285883
 Fax: +86-510-66285882
 E-mail: sales@shine-solar.com.cn